




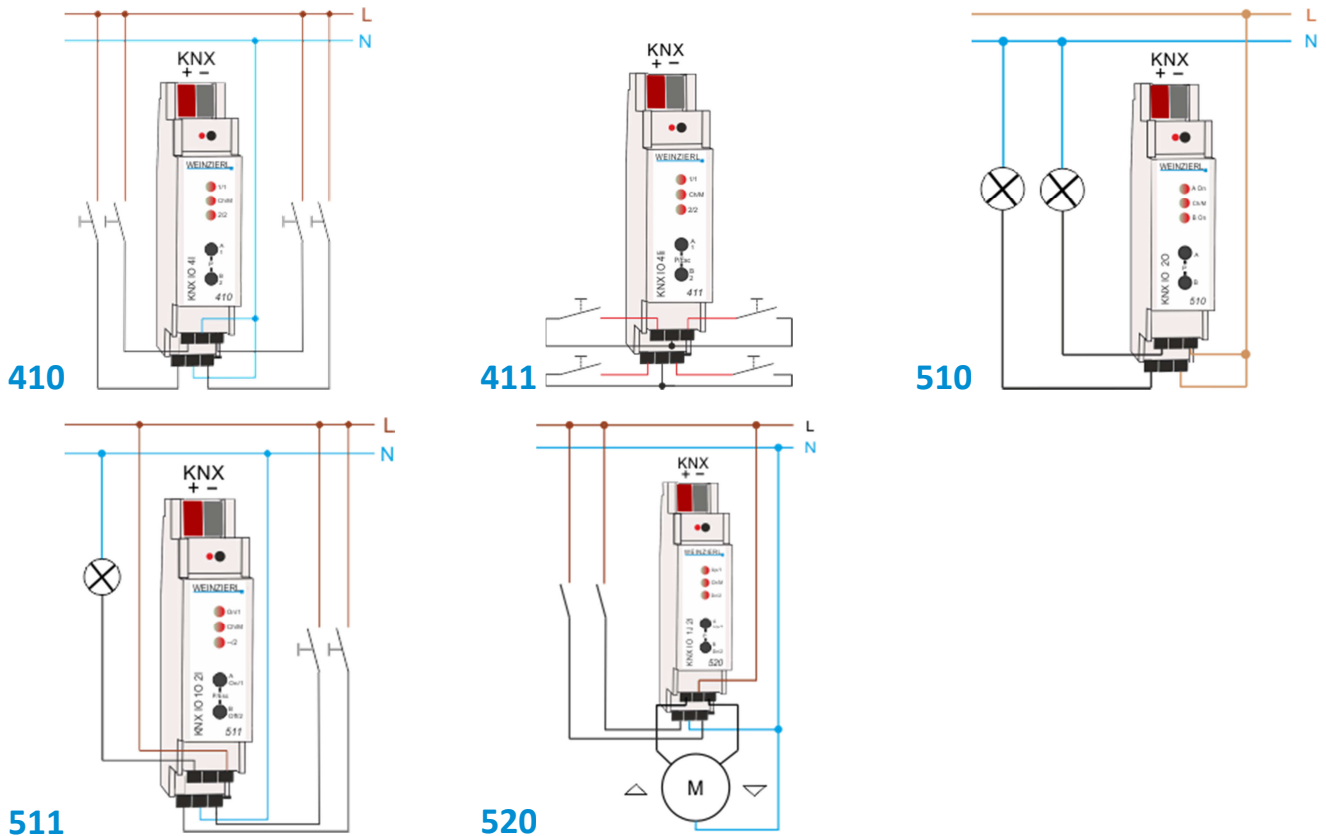


KNX IO Series: functional overview and installation

Device	410	411	510	511	520
Art. #	5230	5231	5224	5232	5225
Picture					
Type	Binary input	Binary input	Switching actuator	Switching actuator + binary input	Blinds actuator + binary input
Input	4 binary in 12-230V	4 binary in for dry contacts	-	2 binary in 12-230V	2 binary in 12-230V
Output	-	-	2 bi-stable out 230V~ 8A	1 bi-stable out 230V~ 8A	1 blinds out 230V~ 8A

Installation



- The devices must be mounted and commissioned by an authorized electrician.
- The prevailing safety rules must be heeded.
- The devices must not be opened.
- For planning and construction of electric installations, the relevant guidelines, regulations and standards of the respective country are to be considered.



WARNING



Weinzierl Engineering GmbH
 D-84508 Burgkirchen / Alz
 Germany
<http://www.weinzierl.de>
info@weinzierl.de
 2017/11/21