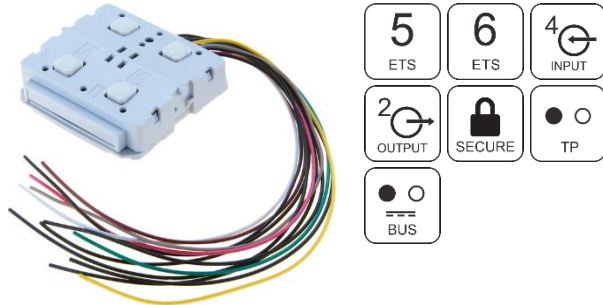


Data sheet

KNX TP Push Button Interface 420 *secure*

KNX TP Push Button Interface with KNX Data Security



(Art. # 5385 Push button interface with connection cable)

Application area

The KNX TP Push Button Interface 420 *secure* is a push button interface for the KNX bus. It is suitable as a binary input for connecting up to four conventional push buttons or potential-free contacts. In addition, the device offers two outputs for LEDs. A pluggable connection cable is included in the scope of delivery. The integrated push buttons and LEDs allow a quick test of the configuration.

The application offers extensive functions for switching, dimming, shutter, valuator, scene and color control as well as sequence controllers and scalable pulse counters. Each channel can be configured individually. The flexible operating concept also allows different functions on one channel depending on the setting.

In addition, the device contains 10 independent logic or time functions. The device supports KNX Data Security.

Technical Specification

Electrical safety

- Protection (acc. EN 60529): IP20

CE marking according to

- EMC directive 2014 / 30 / EU
- RoHS directive 2011 / 65 / EU
- EN 63044-3: 2018, EN 50491-5-1: 2010
EN 50491-5-2: 2010, EN 50491-5-3: 2010
- EN 61000-6-2: 2019
EN 61000-6-3: 2007 + A1: 2011
- EN 63000: 2018

Environmental requirements

- Ambient temp. operating: - 5 ... + 45 °C
- Ambient temp. non-op.: - 25 ... + 70 °C
- Rel. humidity (non-condensing): 5 ... 93 %

Mechanical data

- Housing: plastic
- Dimension without bus terminal: 40 x 40 x 11 mm
- Height with Bus terminal: 22 mm
- Connection cable length: 150 mm
- Weight: approx. 15 g

Controls and indicators

- 4 buttons (for testing)
- 6 LEDs (green for testing)
- KNX programming button with LED (red)

Power supply

- KNX Bus approx. 3 mA

Connectors

- Connector for KNX bus (red / black)
- Connector for ext. switches / LEDs

Outputs (LEDs)

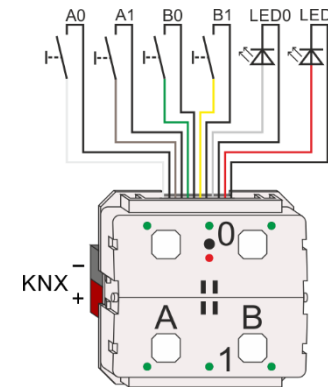
- Voltage: 3.3 V_{DC}
- Internal Resistor: 2 kOhm
- Not galvanically isolated

Inputs (binary in)

- Contact voltage: SELV
- Max. wire length 1 m
- Signal shall not exceed 100 ticks per second
- Suitable for dry contacts
- Not galvanically isolated

Installation Instructions

- The device may be used for permanent interior installations in dry locations.

**WARNING**

- The device must be mounted and commissioned by an authorized electrician.
- The prevailing safety rules must be heeded.
- The device must not be opened.
- For planning and construction of electric installations, the relevant guidelines, regulations and standards of the respective country are to be considered.

ETS6 Database

www.weinzierl.de/en/products/420/ets6

Manual

www.weinzierl.de/en/products/420/manual

CE Declaration

www.weinzierl.de/en/products/420/ce-declarationwww.weinzierl.de

WEINZIERL ENGINEERING GmbH

Achatz 3-4

84508 Burgkirchen an der Alz

GERMANY

Tel.: +49 8677 / 916 36 – 0

E-Mail: info@weinzierl.deWeb: www.weinzierl.de