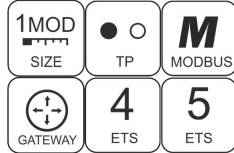


## Data sheet

**KNX Modbus Gateway 886**

(Art. # 5256)

KNX Modbus (RTU) Gateway with 250 data points

**Application area**

The KNX Modbus Gateway 886 is a compact Gateway between KNX TP and Modbus RTU with 250 freely configurable channels.

The device enables easy integration of Modbus devices that support the RTU protocol via RS-485 and can act as a Modbus master or slave. As Master the device can address up to 25 slave devices.

The assignment between KNX objects and Modbus registers can be configured via parameters in the ETS without an additional tool.

The gateway provides a galvanic isolation between KNX bus and Modbus.

Two buttons and three LEDs allow local operation and visualization of the device status.

**Technical Specification****Electrical safety**

- Protection (acc. EN 60529): IP 20

**CE marking according to**

- EMC directive 2014 / 30 / EU
- RoHS directive 2011 / 65 / EU
- EN 50491-3: 2009
- EN 50491-5-1: 2010
- EN 50491-5-2: 2010
- EN 50491-5-3: 2010
- EN 61000-6-2: 2005
- EN 61000-6-3: 2007 + A1: 2011
- EN 50581: 2012

**Environmental requirements**

- Ambient temp. operating: - 5 ... + 45 °C
- Ambient temp. non-op.: - 25 ... + 70 °C
- Rel. humidity (non-condensing): 5 % ... 93 %

**Mechanical data**

- Housing: plastic (PC)
- DIN rail mounted device, width: 1 unit (18 mm)
- Weight: approx. 50 g

**Controls and indicators**

- 2 buttons and 3 LEDs, multicolor
- KNX programming button with LED (red)

**Modbus**

- Type: RTU (RS-485), Master oder Slave
- As master: up to 25 slave devices
- Up to 250 channels

**Power Supply**

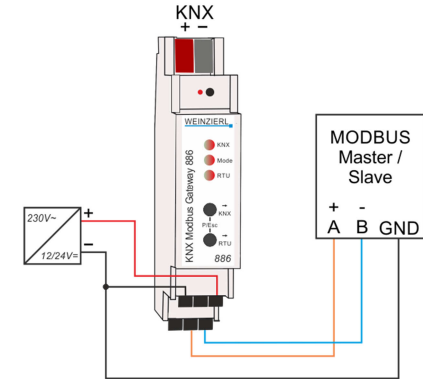
- KNX Bus approx. 4 mA
- Modbus side supply voltage 12 .. 24 V<sub>DC</sub>

**Connectors**

- Connector for KNX Bus (red / black)
- Pluggable screw connector (3 poles) for Modbus
- Pluggable screw connector (3 poles) for power supply
- Cross-section of connectors: 0.34 .. 2.5 mm<sup>2</sup>

**Installation Instructions**

- The device may be used for permanent interior installations in dry locations or within distribution boards with DIN rail.

**WARNING**

- The device must be mounted and commissioned by an authorized electrician.
- The prevailing safety rules must be heeded.
- The device must not be opened.
- For planning and construction of electric installations, the relevant guidelines, regulations and standards of the respective country are to be considered.

**ETS4/5 Database**

[www.weinzierl.de/en/products/886/ets4](http://www.weinzierl.de/en/products/886/ets4)

**Manual**

[www.weinzierl.de/en/products/886/manual](http://www.weinzierl.de/en/products/886/manual)

**CE Declaration**

[www.weinzierl.de/en/products/886/ce-declaration](http://www.weinzierl.de/en/products/886/ce-declaration)

**Weinzierl Engineering GmbH**

D-84508 Burgkirchen / Alz

Germany

[www.weinzierl.de](http://www.weinzierl.de)

[info@weinzierl.de](mailto:info@weinzierl.de)

2019/03/28