

KNX IP BAOS 772

Interface and ObjectServer between LAN and KNX-Bus

Data sheet

Application area

The KNX IP BAOS 772 is used as interface to connect to KNX both on telegram level (KNXnet/IP Tunneling) and on data-point level (KNX Application Layer) with up to 1000 comm.-objects. BAOS stands for "Bus Access and Object Server". The connection is made through LAN (IP).

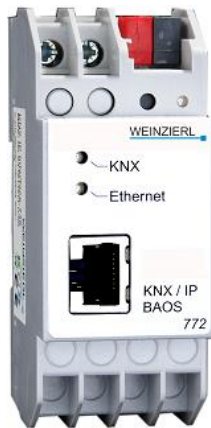


Figure 1: Photo of device

The Object Server can be accessed through TCP/IP or UDP/IP via the KNX Binary Protocol V2.0. Alternatively, the Object Server can be accessed through Web Services based on Java Script Object Notation (JSON).

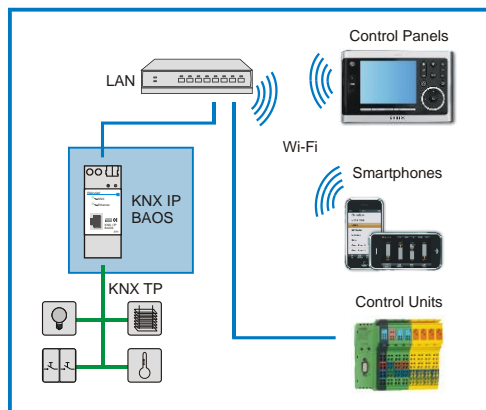


Figure 2: Typical application



Weinzierl Engineering GmbH
 D-84508 Burgkirchen / Alz
 Germany
<http://www.weinzierl.de>
info@weinzierl.de

Technical data

Electrical safety

- Protection (acc. EN 60529): IP 20
- Safety extra low voltage SELV DC 29 V

CE marking according to

- Low voltage directive 2014 / 35 / EU
- EMC directive 2014 / 30 / EU
- RoHS directive 2011 / 65 / EU (RoHS2)
 EN 50491-3: 2009, EN 50491-5-1: 2010
 EN 50491-5-2: 2010, EN 50491-5-3: 2010
 EN 61000-6-2: 2005
 EN 61000-6-3: 2007 + A1: 2011
 EN 50581: 2012 (RoHS2)

*CE declaration can be requested at info@weinzierl.de.

Environmental requirements

- Ambient temp. operating: - 5 ... + 45 °C
- Ambient temp. non-op.: - 25 ... + 70 °C
- Rel. humidity (non-condensing): 5 % ... 93 %

Mechanical data

- Housing: Plastic
- DIN rail mounted device, width: 2 units
- Weight: approx. 100 g

Operating controls

- Learning key for KNX

Indicators

- Learning-LED (red)
- Signal-LED (green) for KNX
- Signal-LED (green) for LAN

KNX

- 1000 communication objects

Ethernet

- 10BaseT (10Mbit/s)
- Supported internet protocols ARP, ICMP, IGMP, UDP/IP, TCP/IP, DHCP and Auto IP
- Up to 5 KNXnet/IP Tunneling conn. simultaneously
- KNX BAOS Binary Protocol V2.0
- KNX BAOS Web Services (JSON)

Power supply

- External supply 12-24 V AC / 12-30 V DC
- Alternative: "Power over Ethernet"
- Power consumption: < 800 mW

Connectors

- KNX connection terminal
- LAN RJ-45 socket
- Screw connector for power supply