

KNX IP LineMaster 760

KNX multi-function device with Power Supply / IP-Router / IP-Interface

Data sheet

Application Area

The KNX LineMaster combines the essential functions of a KNX bus line: Power supply with choke, IP Router and IP Interface.

In addition to the bus voltage the power supply offers an auxiliary voltage of 24 V. The IP Router in the LineMaster allows forwarding of telegrams between different lines through a LAN (IP) as a fast backbone. Using the embedded IP Interface, the KNX line can be connected directly to a PC (e.g. by ETS).

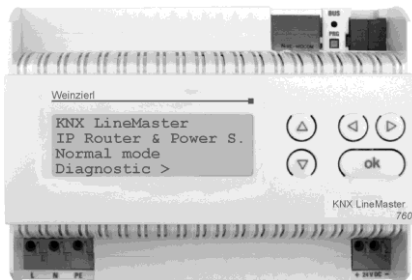


Figure 1: Photo of device

This device works according to the KNXnet/IP specification using the core, the device management, the tunnelling and the routing part.

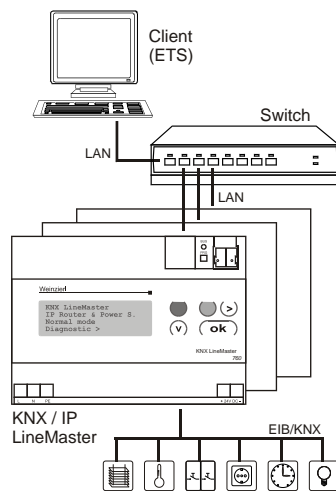


Figure 2: Typical application

The router included in the KNX LineMaster 760 has a filter table and is able to buffer up to 150 telegrams.



Weinzierl Engineering GmbH
 D-84508 Burgkirchen / Alz
 Germany
<http://www.weinzierl.de>
info@weinzierl.de

Technical data

Electrical safety

- Protection (EN 60529): IP 20

CE marking according to

- Low Voltage Directive 2006 / 95 / EC
 EN 50491-5-1: 2010, EN 50491-5-3: 2010
- EMC Directive 2004 / 108 / EC
 EN 61000-6-2: 2005,
 EN 61000-6-3: 2007 + A1: 2011,
 EN 61558-2-16: 2009
- RoHS Directive 2011 / 65 / EU
 EN 50581: 2012

*CE declaration can be requested at info@weinzierl.de.

Environmental requirements

- Ambient temp. operating: - 5 ... + 45 °C
- Ambient temp. Non-op.: - 25 ... + 70 °C
- Rel. humidity (non-condensing): 5 % ... 93 %

Mechanical data

- Housing: Plastic
- DIN rail mounted device, 7 width units
- Weight: approx. 400 g

Operating controls

- Learning key for KNX
- 5 keys for menu operation

Indicators

- Learning LED (red)
- LC display

Ethernet

- 10BaseT (10Mbit/s)
- Supported internet protocols ARP, ICMP, IGMP, UDP/IP and DHCP

Power supply

- Mains voltage 230V AC / 50Hz
- Power consumption: < 4 W (idle)
 < 28 W (full load)

Connectors

- KNX connection terminal, bus voltage 29 Volts (restricted), max. output current: 640 mA, short-circuit-proof
- 24V DC (unrestricted), max. output current: 150mA, short-circuit-proof
- LAN RJ-45 socket