

## KNX USB Interface 310 (DIN rail)

### Interface between PC and EIB/KNX bus

Data sheet

#### Application area

This interface is for establish a bidirectional connection between a PC and the KNX installation bus. The USB connector has a galvanic separation from the KNX bus. Both ETS (Engineering Tool Software) versions ETS3 or later and some Visualization tools support this interface.



Figure 1: Photo of device

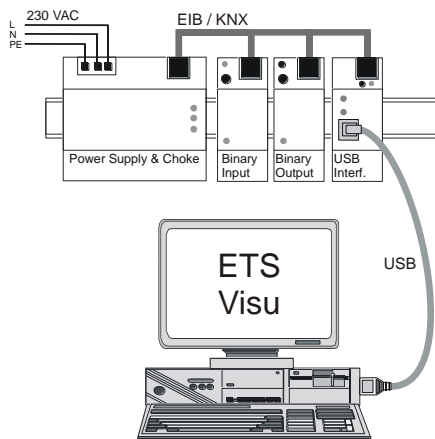


Figure 2: Typical application



Weinzierl Engineering GmbH  
 DE-84508 Burgkirchen  
 E-Mail: [info@weinzierl.de](mailto:info@weinzierl.de)  
 Web: [www.weinzierl.de](http://www.weinzierl.de)

#### Technical Specification

##### Electrical Safety

- Protection (acc. EN 60529): IP 20
- Bus safety extra low voltage SELV DC 24 V

##### EMC requirements

- Complies with EN 61000-6-2, EN 61000-6-3 and EN 50090-2-2

##### Environmental requirements

- Ambient temp. operating: - 5 ... + 45 °C
- Ambient temp. Non-op.: - 25 ... + 70 °C
- Rel. humidity (non-condensing): 5 % ... 93 %

##### Certification

- KNX

##### CE norm

- Complies with the EMC regulations (residential and functional buildings) and low voltage directive

##### Physical specifications

- Housing: Plastic
- DIN rail mounted device, width: 36 mm
- Weight: approx. 100 g
- Fire load: approx. 1000 kJ

##### Indicators

- Signal-LED (green) for USB-Connection
- Signal-LED (yellow) for Communication

##### Power supply

- The part of circuit for communication over USB is supplied by the connected PC / Laptop, correct operation is signalled by the green LED (USB). Power consumption: < 200 mW
- The part of circuit for communication over KNX is supplied by KNX bus. Power consumption: < 300 mW

##### Connectors

- KNX connection terminal
- USB: USB connector type B  
Wire length max. 5 m